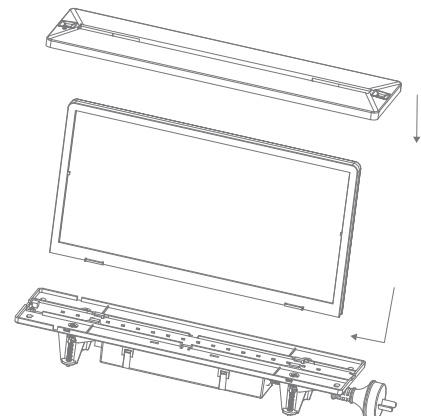
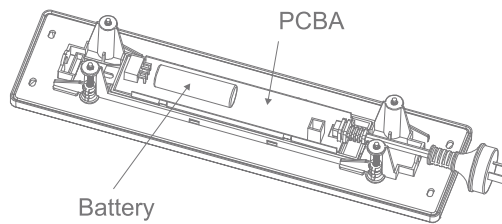
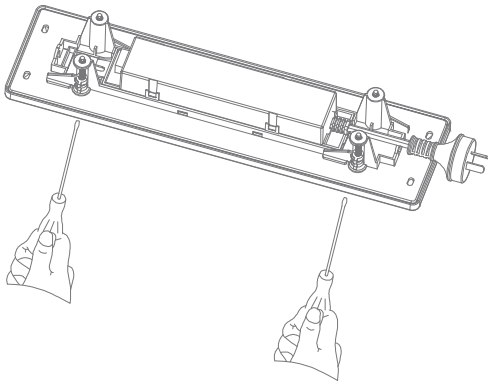


Exit-Rec-24M

Specifications

| | | | | | |
|----------------|------|-------------------|---------|-------------------|----------|
| Input Voltage: | 240V | Ambient Temp: | 0-40°C | Battery Voltage: | 3.2V |
| Power: | 2.5W | Viewing Distance: | 24m | Battery Capacity: | 1300mAh |
| IP Rating: | IP20 | Duration: | 2Hrs | Charging Time: | 24Hrs |
| Frequency: | 50Hz | Battery Type: | LiFePO4 | Cutout: | 305x65mm |

- Unscrew the four screws, ensure the four buckles clamp the ceiling and tighten the screws.
- Connect battery to connector on PCB.
- Place the panel back to fixture.



Note: -The lamp must be installed by professional electrician
-Ensure the power supply is switched off before fitting this product

-Do not touch the lamp when in use
-Keep away from hot steam and corrosive gas